

**MUD65PL
CAGE MOUNT SPEAKER WITH RGB LEDS
OWNER'S MANUAL**



THANK YOU

Thank you for making the AWESOME decision to purchase our MTX Audio cage mount speaker pod. This high performance speaker features all-weather construction designed to deliver exceptional sound quality and volume for high output systems for those that love to hear their music wherever they are. Additionally, each speaker enclosure includes a RGB LED light kit that enables customization of the speaker lighting color on the grille. So, what are you waiting for? It's time to get the rumble in your ride and go hit the trails! Oh, and congratulations on your purchase, thanks for your support and most importantly, enjoy the ultimate audio experience with MTX!

WE'RE HERE TO HELP

We're here to help with any installation or technical support. Visit mtx.com to chat, call 1-800-225-5689 to speak with an MTX Technical Support representative, or visit youtube.com/user/MTXAudioUSA to view product videos.

DON'T FORGET TO REGISTER YOUR PRODUCT

Don't forget to register your new MTX Audio product. Visit mtx.com/productregistration or scan the QR code to the right.

Model # _____

Serial # _____

Dealer's Name _____

Date of Purchase _____



IMPORTANT NOTICE

Whenever working on the vehicle, it is recommended to disconnect the battery prior to starting work. Failure to do so may lead to a risk of electric shock or equipment damage.

When connecting power and ground wires ensure that the red power wire is fused at the point where it is connected to the vehicle's battery. Failure to do so can result in damage to the vehicle if a short circuit develops between the vehicle connection point and the product.



FEATURES

- Integrated RGB LED Lighting
- Includes Rotating Brackets for 1.75", 1.85", and 2" Bars
- ABS Impact Resistant Enclosure and Grille with UV Inhibitor
- Polypropylene Woofer and Mylar Dome Tweeter

SPECIFICATIONS

- RMS Power Handling: 50-Watts
- Peak Power Handling: 100-Watts
- Sensitivity (2.83V/1m): 89.9dB
- Sensitivity (1W/1m): 85.6dB
- Frequency Response: 70Hz - 20kHz
- Impedance: 4Ω
- Fits Bars 1.75", 1.85", and 2"

WIRE COLOR

- Grey / Black: +/- speaker wire
- Black / Red / Green / Blue: +/-ground speaker illumination

IN THE BOX

- Speaker and Enclosure
- Brackets
 - For Mounting the Bracket Base to the Enclosure
 - (8) M6-1.0x14mm Stainless Steel Hex Bolt
 - (8) M6 Stainless Steel Flat Washer
 - (8) M6 Stainless Steel Split Lock Washer
 - For Tightening the Bracket Strap to the Base
 - (2) M6-1.0x50mm Stainless Steel Hex Bolt
 - (2) M6 Stainless Steel Serrated Flange Lock Nut

INSTALLATION

1. Choose appropriate bracket clamp, 1.75", 1.85", and 2", for the application. If using the MUD65PL with a ProFit or Profile style enclosure, use optional bracket MUDPFC, to attach speaker enclosure to cage.
2. Attach bracket base to enclosure at desired angle using a minimum of two (2) M6-1.0x14mm Hex bolts and M6 lock washers. If only two (2) bolts are used, ensure there is a bolt on each side of the round base for secure mounting.
3. Slide bracket clamp over pipe or bar at desired mounting location.
4. Hold the enclosure in place where the base fits in the open section of the clamp. Then place the M6-1.0x50mm Hex bolt through making sure the threads are towards the front of the enclosure. See Figure 1.
5. Tighten the M6 serrated nut onto the bolt until the bracket is tight. The nut is serrated and will lock in place. The speaker will not rotate on the bar if it is mounted when these are fully tightened.
6. Adjust and tighten the bolts to the desired position making sure to use a minimum of two bolts. Depending on the position of the speaker, only two (2) insertion points will be usable.
7. Attach the MTX badge to the rear recess of the enclosure with the included double stick tape.
8. Connect the speaker wires to your amplifier ensuring correct polarity Grey to positive and Black to negative. The MUD65PL includes speaker illumination. When hard-wiring the RGB lighting, the Black lead is +12V and the Red, Green, and Blue leads are ground. There are seven colors available, depending on the wiring configuration. MTX recommends using the MUDLEDC remote control (sold separately) for more colors, patterns and special effects. See Figure 2.

Figure 1

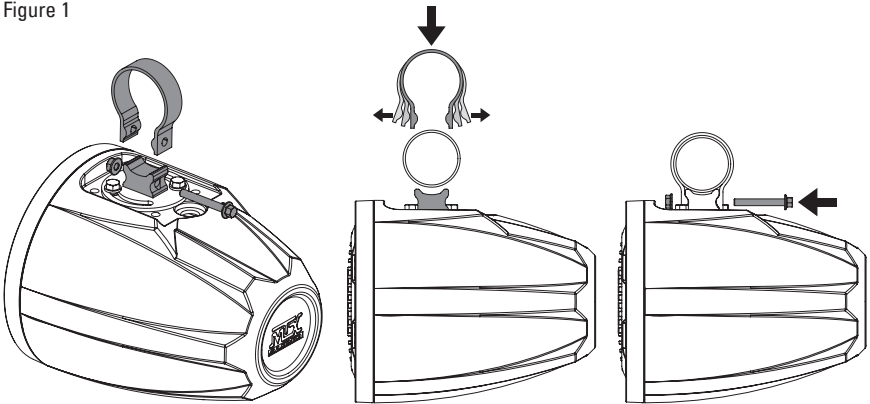
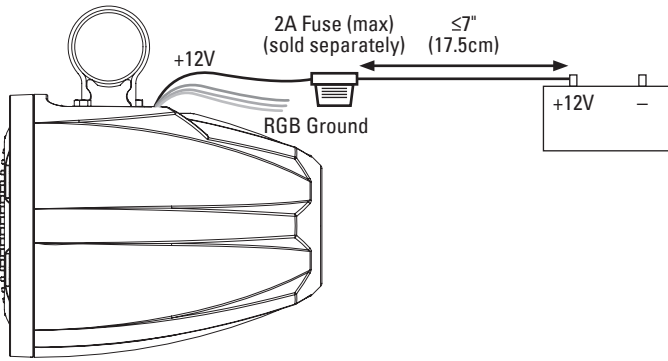


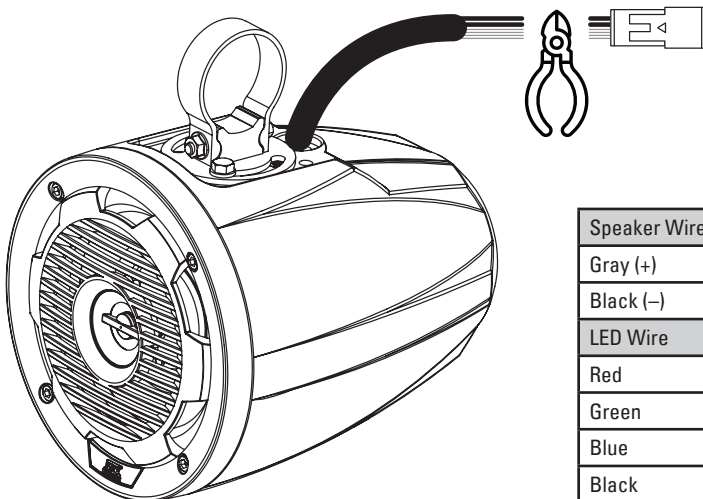
Figure 2



Color Combinations: Splice and combine the ground wires to yeild a different color.	
Red	Red
Green	Green
Blue	Blue
Red / Green	Lime Green
Red / Blue	Magenta
Green / Blue	Aquamarine
Red / Green / Blue	Blue-White

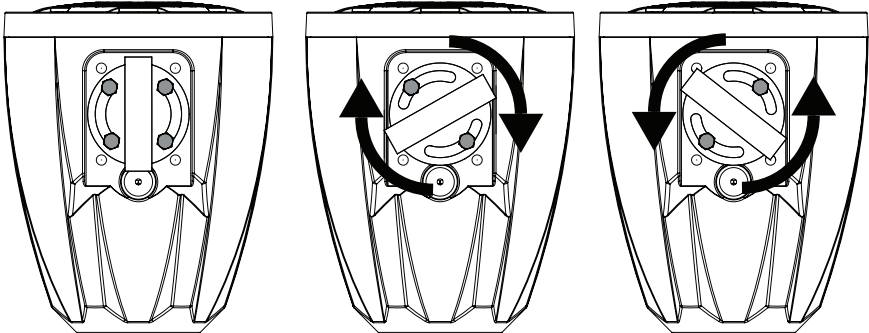
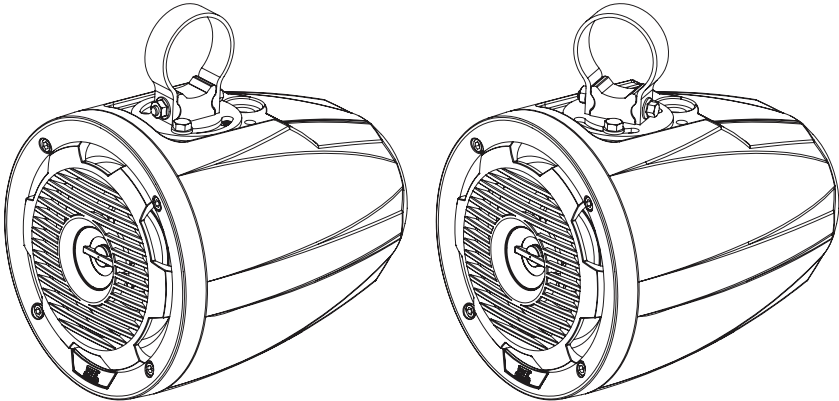
MUD65PL UNIVERSAL UTV AUDIO KIT INSTALLATION

The MTX Audio MUD65PL coaxial speaker pods come factory equipped with a wiring plug that is specifically designed to pair with our Vehicle Specific Thunder Audio Kits. If using the MUD65PL in a Universal Kit or individually, the wiring plug must be removed from the MUD65PL and the speaker simply hardwired into the system.



Speaker Wire
Gray (+)
Black (-)
LED Wire
Red
Green
Blue
Black

The bracket base can rotate in any direction desired, a minimum of 2 bolts must be used, 1 on each side.



WARRANTY PERIOD

At MTX Audio we engineer products that will stand up to the test of time. We also realize that from time to time a problem may occur. That's why our products carry a 2-year limited warranty that begins at the time of sale to the end user.

Of course, we're here to help. If you experience an issue with any of our products within the warranty period, please contact our customer service technical line at 1-800-CALL-MTX to help troubleshoot your issue. If, after speaking with our technical experts it is determined that a problem lies with the product, the technician will provide you with a Return Authorization number and all relevant details you'll need to get the product taken care of.

MITEK WARRANTY

MiTek Mobile products (including, but not limited to: MTX, Coustic, Streetwires, Xtant, BassSlammer, and Thunder Marine) purchased in the USA from an AUTHORIZED MITEK DEALER are guaranteed against defects in material and workmanship for the period of time specified. The warranty period begins the day the product is purchased by the end user, and this warranty is limited to the original retail purchaser of product. Products found to be defective during the warranty period will be repaired or replaced with equivalent product by MiTek at no charge. This warranty is void if it is determined that unauthorized parties have attempted repairs or alterations of any nature, and the warranty does not extend to cosmetics or finish. MiTek disclaims any liability for other incurred or consequential damages resulting from product defects. MiTek's total liability will not exceed the purchase price of the product.



Let's Get Social
mtx.com



Like, Follow, & Subscribe

© 2020 MiTek Corporation. All rights reserved. MTX is a trademark of MiTek Corporation. All other trademarks are property of their respective owners. Designed and Engineered in the U.S.A.

Due to continual product development, all specifications are subject to change without notice.

MTX Audio, 4545 East Baseline Rd. Phoenix, AZ 85042 U.S.A. 1-800-225-5689

MTX005835 RevB 11/20 • 21A10844 • AW0015909