



TERMINATOR 8" MICRO SUBWOOFER ENCLOSURE



TN8MS

INTRODUCTION

Congratulations on the purchase of your new MTX gear. For over 50 years MTX remains an American family-owned manufacturer full of passionate enthusiasts just like you. Thank you for counting on us to help you “Amplify The Ride”!

For best performance and longevity of your audio gear, we recommend you have your new MTX product installed by an Authorized MTX Dealer. Their installation knowledge and expertise will ensure you get the most out of your new equipment while safeguarding against potential issues. Also, please read your product warranty carefully and retain your receipt and original carton for possible future use.

We’re here to help with any installation or technical support. Visit www.mtx.com to chat, call 1-800-225-5689 to speak with an MTX Technical Support representative, or visit www.youtube.com/user/MTXAudioUSA to view product videos.

Don't forget to register your new MTX product. Visit www.mtx.com/productregistration or scan the QR code below.

Model # _____

Serial # _____

Dealer's Name _____

Date of Purchase _____



TABLE OF CONTENTS

2. Introduction / Safety
3. Features / Package Contents
4. Control Functions
6. Installation
8. Wiring
9. Specifications
10. Dimensions
11. Warranty

SAFETY

- Please read and follow these instructions to prevent injury and damage to the unit.
- If you are unsure about installing the system by yourself, please have it installed by a qualified MTX technician.
- Whenever working on the vehicle, it is recommended to disconnect the battery prior to starting work. Failure to do so may lead to a risk of electric shock or equipment damage.

When connecting power and ground wires ensure that the power wire is fused at the point where it is connected to the vehicle's battery. Failure to do so can result in damage to the vehicle if a short circuit develops between the vehicle connection point and the product.

⚠ WARNING: This symbol with “WARNING” is intended to alert the user to the presence of important operating and maintenance (servicing) instructions in the literature accompanying the product.

⚠ CAUTION: This symbol with “CAUTION” is intended to alert the user to the presence of important operating and maintenance (servicing) instructions in the literature accompanying the product.

FEATURES

- Integrated Amplifier Creates an All-In-One Subwoofer Solution
- High and Low Level Inputs
- Small Size Footprint for Easy Installation

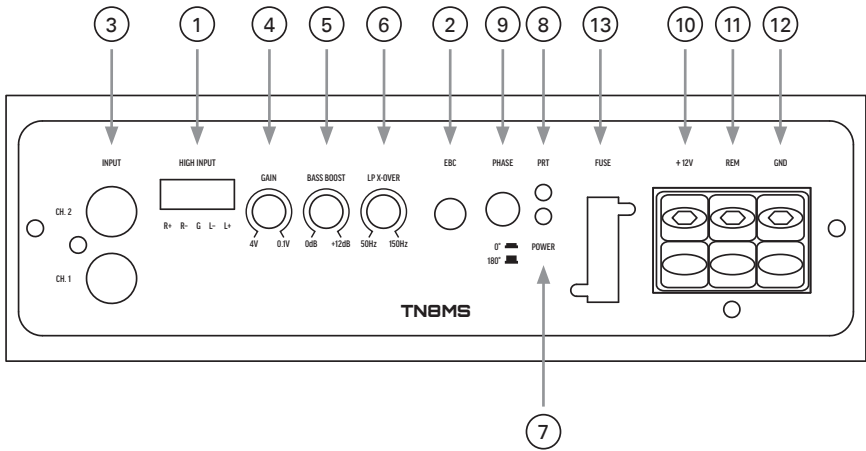
PACKAGE CONTENTS

- (1) TN8MS Subwoofer Enclosure
- (1) 15-Amp Fuse (Installed)
- (1) EBC Remote Knob and 13' Cable
- (1) 10" High-Level Input Harness
- (4) 3/4" Self-Tapping Screws
- (4) 1/4" Machine Screws
- (4) Mounting Feet
- (1) Manual



CONTROL FUNCTIONS

1. High Level Input - This input accepts High Level (speaker level) input from the source unit using the included wire harness.
2. External Bass Control (EBC) Port - This port connects to the included MTX EBC to remotely control the output level of the amplifier.
3. RCA Inputs - The RCA inputs accept signal from low-level (RCA) inputs up to 4V. Source units need a minimum 100mV output for proper operation of the amplifier.
4. Gain Control - The gain control matches the input sensitivity of the amplifier to the source unit being used. The operating range varies from 100mV to 4V.
5. Base Boost - This control is used to adjust the Bass Boost level from 0 - 12dB. The Bass Boost frequency is centered at 45Hz.
6. Low Pass X-Over Frequency Control - This control is used to adjust the Low Pass crossover frequency. The crossover frequency is variable between 50Hz and 150Hz.
7. Power LED - The LED illuminates green when the amplifier is powered on and operating normally.
8. Protection (PRT) LED - The LED illuminates red when the amplifier is in thermal protection.
9. Phase Switch - This switch has two available positions - 0° or 180°. Always try both and use the one that produces more bass sitting at the front.
10. Power Terminal (+12V) - This terminal is connected with a power cable and inline fuse or circuit breaker directly to the positive terminal of the vehicle's battery. The TN8MS will accept up to an 8 AWG power cable.
11. Remote Terminal - This terminal is connected to the "remote" wire from the source unit and is used to turn the amplifier on when +12V is applied.
12. Ground Terminal - This terminal is connected with a short ground cable directly to the chassis of the vehicle. The ground cable must be the equivalent gauge as the power cable. The TN8MS will accept up to an 8 AWG power cable.
13. Fuse - If a fuse blows, replace it with the same value. The TN8MS uses a 15A fuse.
Caution: Never use a higher rated fuse!



Amplifier Control Panel

INSTALLATION

MTX recommends your new TN8MS subwoofer enclosure be installed by an Authorized MTX Dealer. Any deviation from specified installation instructions can cause serious damage to the amplifier, subwoofer and / or vehicle's electrical system. Damage caused from improper installation is NOT covered under warranty. Please verify all connections prior to system turn on!

1. Disconnect the vehicle's negative battery cable and secure it away from the battery terminals to prevent it from being reconnected accidentally when routing the power cables.
2. Determine the mounting place for your subwoofer enclosure. Keep in mind there should be sufficient air flow around the amplifier heat sink for proper cooling. Use the 1/4" machine screws to secure the mounting feet to the enclosure. Before drilling or installing mounting screws, make sure all vehicle wires, gas lines, brake lines, and gas tank are clear and will not interfere with the subwoofer enclosure installation. Drill mounting holes (where applicable) and secure the enclosure using supplied mounting screws.
3. Install a positive (+) power cable from the vehicle's battery through the firewall using a grommet or firewall bushing to avoid cable damage from sharp edges of the firewall. Run the cable through the interior of the vehicle and connect it to the amplifier's (+12V) terminal. Do not connect to the battery at this time.
4. Install a circuit breaker or fuse holder on the power cable within 18" of the battery. This effectively lowers the risk of severe damage to you or your vehicle in case of a short circuit or accident. Make sure the circuit breaker is switched off or the fuse is taken out of the fuse holder until all connections are made. Now connect the positive power cable to the positive battery terminal.

Note: Use equivalent gauge wire for both power and ground connections.

5. Grounding - Locate a proper ground point on the vehicle's chassis and remove all paint, dirt or debris to reveal a bare metal surface. Attach the ground wire to that contact point. Connect the opposite end of the ground wire to the amplifier's (GND) terminal.
6. Connect a Remote Turn-on wire from the source unit to the amplifier's (REM) terminal. If the source unit does not have a dedicated Remote Turn-on lead, you may connect to the vehicle's accessory wire.
7. Connect the signal cables from the source unit to the amplifier using either the RCA or High Level Input connectors.

Note: Only one input signal method is needed. Do not connect both RCA and High Level Inputs.

- When using a source unit with low-level (RCA) outputs, use high quality RCA cable(s) to connect directly to the amplifier RCA inputs.
 - When using a source unit with high level (speaker) outputs, connect the speaker wires directly to the included High Level Input harness and plug into the HLI connector on the front of the amplifier.
 - For source units with high level output greater than 4V, a separate high to low level converter is required.
8. Double check all previous installation steps, in particular, wiring and component connections. Once verified, reconnect the vehicle's negative battery cable, turn the circuit breaker on or place the fuse in the fuse holder.

9. Crossover Adjustment

A. Adjust the Low Pass Filter (LPF)

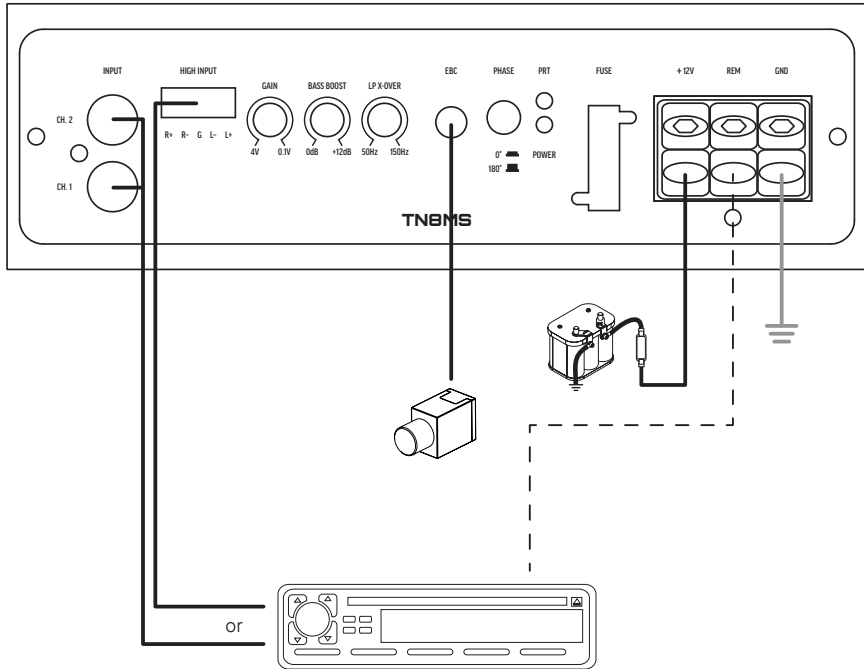
- Turn the LPF control to the desired cutoff frequency.
- Frequencies above the selected cutoff frequency will be filtered out.
- 80Hz is a good starting point for the TN8MS and can be adjusted to achieve the desired frequency response.

10. Gain Adjustment

- A. Turn the gain control on the amplifier all the way down (counter clockwise).
- B. Turn up the volume control on the source unit to approximately 3/4 of maximum.
- C. Slowly turn the GAIN control on the amplifier up (clockwise) and stop when audible distortion occurs.
- D. Adjust the GAIN control down slightly until audible distortion disappears.

Note: The amplifier is now calibrated to the output of the source unit, and the optimal gain level has been set. Any increase to the gain level beyond this set point will result in audible distortion and possible subwoofer damage.

WIRING

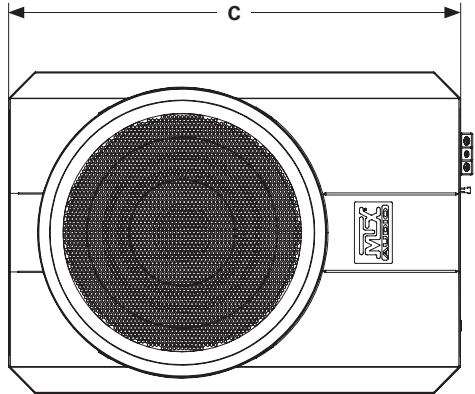
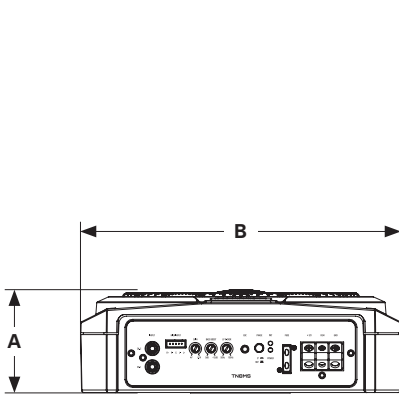


SPECIFICATIONS

<i>Model</i>	TN8MS
<i>Subwoofer Size</i>	8"
<i>RMS Power Output at 2Ω</i>	125W
<i>Total Harmonic Distortion</i>	<1%
<i>Signal to Noise Ratio</i>	>91dB
<i>Input Sensitivity</i>	4V - 100mV
<i>Crossover Range</i>	50Hz - 150Hz
<i>Frequency Response</i>	20Hz - 200Hz
<i>EBC Remote Knob</i>	Yes
<i>Fuse Rating</i>	15A

DIMENSIONS

<i>Model</i>	<i>Height (A)</i>	<i>Width (B)</i>	<i>Depth (C)</i>
TN8MS	3 1/8" (78mm)	9 9/16" (242mm)	13 5/8" (345mm)



MITEK WARRANTY

MiTek Mobile products (including, but not limited to: MTX, Coustic, Streetwires, Xtant, BassSlammer, and Thunder Marine) purchased in the USA from an AUTHORIZED MITEK DEALER are guaranteed against defects in material and workmanship for two years. The warranty period begins the day the product is purchased by the end user, and this warranty is limited to the original retail purchaser of product. Products found to be defective during the warranty period will be repaired or replaced with equivalent product by MiTek at no charge. This warranty is void if it is determined that unauthorized parties have attempted repairs or alterations of any nature, and the warranty does not extend to cosmetics or finish. MiTek disclaims any liability for other incurred or consequential damages resulting from product defects. MiTek's total liability will not exceed the purchase price of the product.

We're here to help! If you experience an issue with any of our products, please contact our customer service technical line at 1-800-CALL-MTX to help troubleshoot your issue. If after speaking with our technical experts it is determined that your product is defective, the technician will provide you with a Return Authorization number and all relevant details you'll need to process your claim quickly.

Let's Get Social
mtx.com



Like, Follow, & Subscribe

© 2024 MiTek Corporation. All rights reserved. MTX is a trademark of MiTek Corporation. All other trademarks are property of their respective owners. Designed and Engineered in the U.S.A.

Due to continual product development, all specifications are subject to change without notice.

MTX Audio, 4545 East Baseline Rd. Phoenix, AZ 85042 U.S.A. 1-800-225-5689

MTX005821 RevE 10/24 • AW0016417 • 1-22138